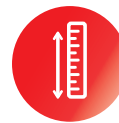


TRUCK-MOUNTED CONCRETE PUMP SYG5445THB 560C-10



Highly Reliable

- SANY has World-class lighthouse factories with top-level manufacturing capability, assuring reliable quality.
- Careful matching of components ensures stable performance of the whole machine.



Strong Pumping

- Single-button high/low pressure switch
- Multiple upgrades assure high suction rate
- Significant advantage in pumping efficiency



Extremely Economical

- The industry-leading longest service life of wear parts
- Advanced fuel combustion technology
- Targeted upgrades for different working conditions

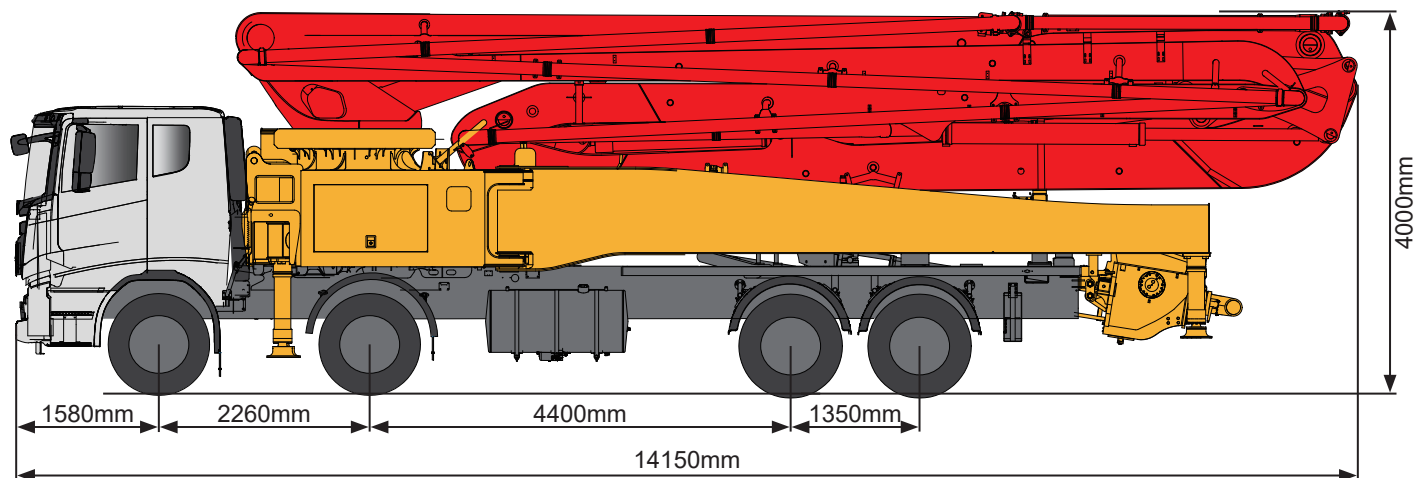


Ultimate User Experience

- Comfortable cab comparable to passenger car experience
- Multi-language human-machine interface
- Easy-maintenance



TECHNICAL SPECIFICATION



Note: standard dimensions version for SANY SYG5445THB 560C-10

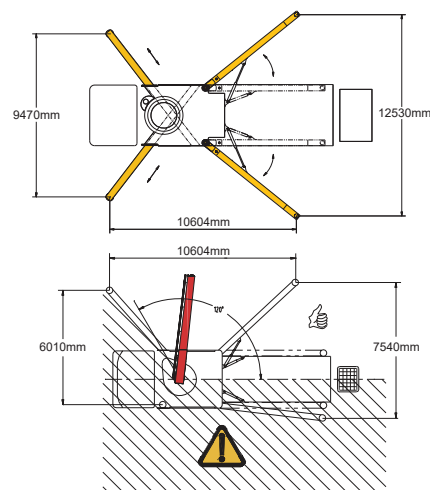
TECHNICAL DATA

Boom

Vertical reach	56 m
Horizontal reach	51 m
Depth reach	36.6 m
Unfolded reach	15.2 m
Rotation	± 360 °
Front outrigger spread L-R	9470 mm
Rear outrigger spread L-R	12530 mm
End hose length	3 m
End hose diameter	125 mm
Pipeline size	125 mm

Pumping system

Theoretical output	200 m ³ /h (137 m ³ /h)
Theoretical pressure	8.3 MPa (12 MPa)
Delivery cylinder diameter	260 mm
Stroke length	2100 mm
Hydraulic system	Open
Hydraulic system oil pressure	32 MPa
Oil tank capacity	610 L
Water tank capacity	600 L
Drive pump	Rexroth/Danfoss
Volume of hopper	700 L



DELIVERY & CONFIGURATIONS

Chassis

Brand: SANY
Model: SYM5440THB1E / SYM5440THB1C
Engine type: D12C5-490E0 / D12C3-490E0
Engine max net power: 348/1900 kW/rpm
Emission standard: Euro V / Euro III
Capacity of fuel tank: 600 L
Displacement: 12.12 L
Max. speed: 90 km/h

Functions

Agitator rotation, 2 direction
Single-button double piston return
Single-button high/low pressure switch
Auto-lubrication for core pump

Safety

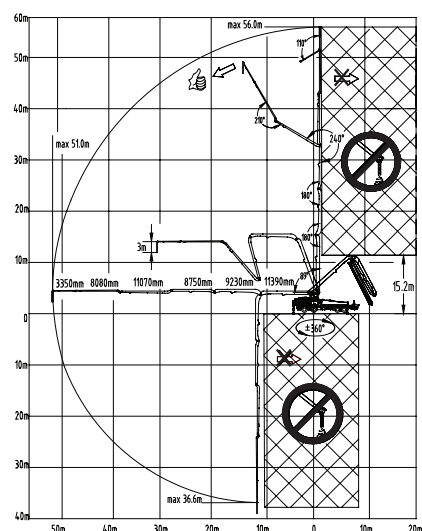
Mushroom button for horn, yellow
Emergency stop
Hopper plate

Cleaning

Sponge balls
Water pump

Others

Remote control System, wired (optional)
Industrial display control screen
Operating manual
MachineLink+ APP/web connected
7 × 24 service with no worry



www.sanyglobal.com

SANY Industrial Park, Economic and Technological Development Zone,
Changsha, Hunan, China, 410100
Sales Hotline
Tel: 0086-731-85835199
Mail: sales@sanyglobal.com

Service Hotline
Tel: 0086-4006098318
Mail: CRD@sany.com.cn

The product configuration (including technical parameters) is subject to change and the delivered actual machine without notice.